

2/2-way valves DN 15 to DN 50

For neutral steam and liquid fluids

Solenoid actuated, with forced lifting

Piston valves

Flange connection, pressure rating PN 40

Operating pressure 0 to 16 bar

85520

Click-on[®]



Description (standard valve)

Solenoid valve for e.g. hot water and steam

Switching function:	normally closed
Flow direction:	determined
Fluid temperature:	0 °C up to max. +200 °C
Ambient temperature:	0 °C up to max. +60 °C
Mounting position:	solenoid mounted underneath, fluid temperature up to max. +150 °C Solenoid preferred vertical on top

Material

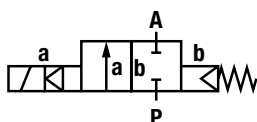
Body:	Stainless steel (1.4408), Brass
Seal seat:	PTFE
Internal parts:	Stainless steel, PTFE / Carbon / FPM

For contaminated fluids insertion of a strainer is recommended (see **Buschjost** - accessories).

Features

- High flow rate
- For robust industry solutions
- Damped operation
- Leakage rate E acc. to DIN EN 12266-1
- Solenoid interchangeable without tools (**Click-on[®]**) up to DN 25 thread
- Valve operates without differential pressure (Zero Delta P)
- Fluids of Group 2 acc. Pressure Equipment Directive 97/23/EC

Symbol



Ordering information

To order, quote model number from table overleaf, e.g. 8552400.9402 for a DN 25 valve.

Characteristic data

Valves

Part Number Solenoid with ---	Part Number Solenoid with ~	Nominal Diameter (mm)	Operating pressure *		Kv-value ** (Base m ³ /h)	Weight (kg)
			min. (bar)	max. (bar)		
8552200.9402	8552200.9406	15	0	16	3.8	3.8
8552300.9402	8552300.9406	20	0	16	6.1	4.2
8552400.9402	8552400.9406	25	0	16	9.5	4.8
8552500.8402	8552500.8406	32	0	16	23.0	9.6
8552600.8402	8552600.8406	40	0	16	25.0	10.0
8552700.8402	8552700.8406	50	0	16	41.0	11.5

* for gases and liquid fluids up to 80 mm²/s (cSt)

** C_v-value (US) P K_v-value x 1.2

State voltage [V] and frequency [Hz]

Solenoid 9402 / 9406 and 8402 / 8406

Standard voltages

DC ---	AC ~ 40 Hz to 60 Hz
24 V	24 V
–	110 V
–	120 V
–	230 V

Design acc.to DIN VDE 0580

voltage range ±10 %

100 % duty cycle

Protection class acc.to EN 60529 IP65


Socket Form A acc.to DIN EN 175301-803 (included)

AC solenoid with rectifier plug

Power Consumption

According to DIN VDE 0580 at coil temperature +20 °C. In operation the power consumption of the solenoid decreases by approx. 30 %.

Solenoid	DC ---	AC ~	
		Inrush	Holding
9402 *	29 W		
9406 *		33 VA	33 VA
8402	29 W		
8406		33 VA	33 VA

*  coil only maintaining the ambient temperature of +65 °C (with the exception of solenoid 94XX up to 41 V AC)

Attention!

The conditions imposed on the Ex approvals lead to reduction of the permissible standard temperature ranges in the cases of explosion protected solenoids.

Further Options (Valves)

XXXXX01.XXXX Normally open (NO), only with solenoid 8407, Mounting position and fluid temperature: max.+150 °C solenoid vertical on top, max.+200 °C solenoid vertical underneath, from DN 32 only vertical on top

XXXXX02.XXXX Manual override

XXXXX14.XXXX Seat seal EPDM, fluid temperature 0 °C up to +130 °C

XXXXX22.XXXX max. operation pressure 25 bar

XXXXX23.XXXX Electrical position indicator with two magnetic field sensors; only with solenoid 8407

XXXXX47.XXXX Flanges acc. to ASME B 16.5 150 lb/sq.In.

XXXXX48.XXXX Flanges acc. to ASME B 16.5 300 lb/sq.In.

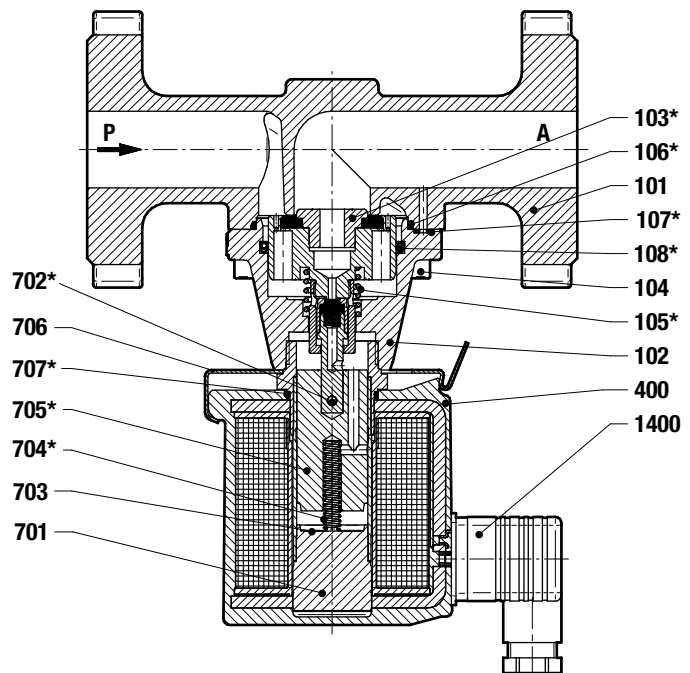
On request Further versions

Accessoires: - Manual override conversion kit

Section view

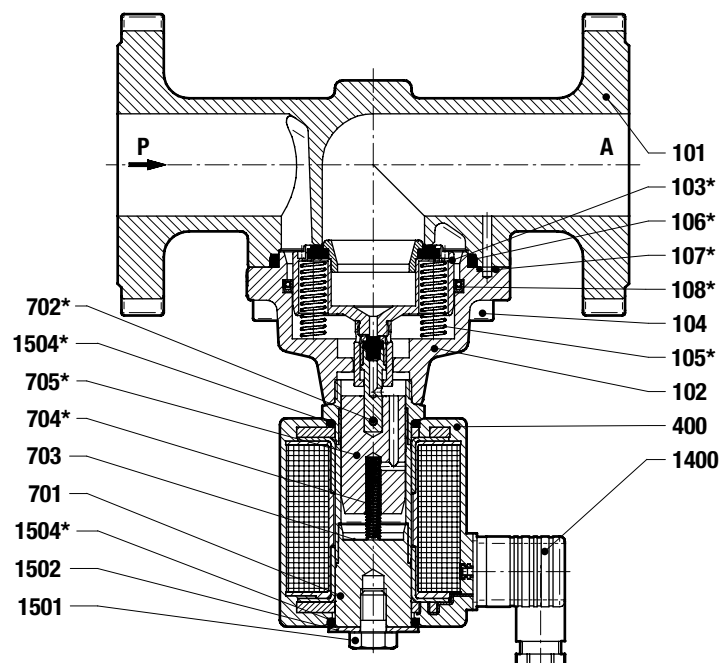
up to DN 25

- 101 Valve body
- 102 Valve cover
- *103 Valve piston
- 104 Straight pin
- *105 Pressure spring
- *106 O-ring
- *107 O-ring
- *108 Grooved ring
- 400 Solenoid
- 701 Core tube
- *702 Straight pin
- 703 Round plate
- *704 Pressure spring
- *705 Core
- 706 Spring clip
- *707 O-ring
- 1400 Socket (included)



from DN 32

- 101 Valve body
- 102 Valve cover
- *103 Valve piston
- 104 Straight pin
- *105 Pressure spring (2x)
- *106 O-ring
- *107 O-ring
- *108 Grooved ring
- 400 Solenoid
- 701 Core tube
- *702 Straight pin
- 703 Round plate
- *704 Pressure spring
- *705 Core
- 1400 Socket (included)
- 1501 Hexagon screw
- 1502 Round plate
- *1504 O-Ring (2x)



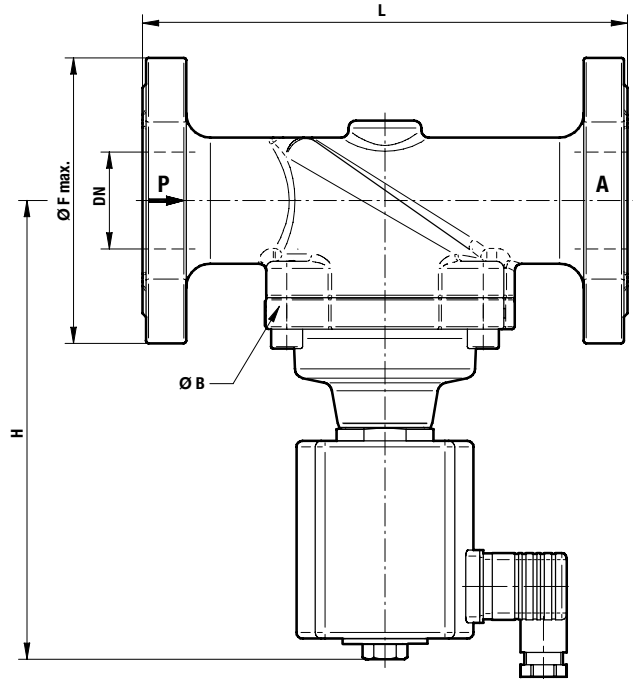
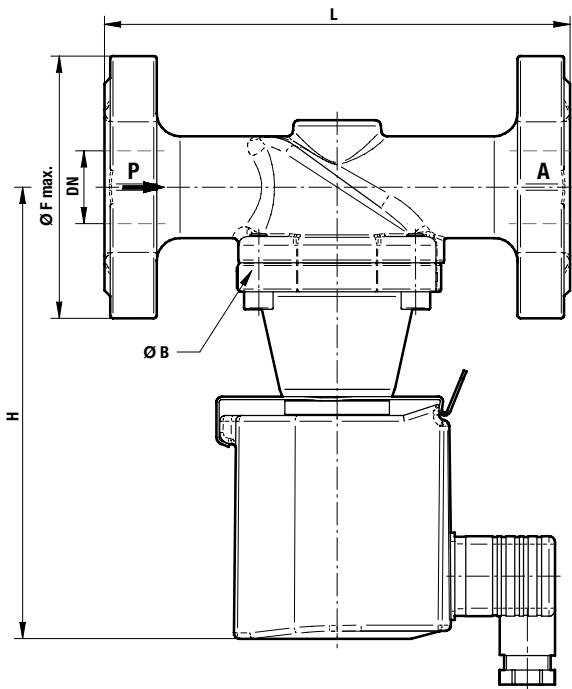
*These individual parts form a complete wearing unit.
When ordering spare parts please state Cat no and series no.

General Dimensions

Solenoid rotatable 360°
 Socket turnable 4 x 90°
 (Socket included)

up to DN 25

from DN 32



Part Number	Nominal Diameter (mm)	L (mm)	H (mm)	Ø F max. (mm)	Ø B (mm)
8552200.940x	15	130	142	96	44
8552300.940x	20	150	150	110	50
8552400.940x	25	160	155	115	62
8552500.840x	32	180	184	140	92
8552600.840x	40	200	190	150	92
8552700.840x	50	230	197	165	109

Suitable for mounting between flanges according to DIN EN 1092-1; Contact face acc. to DIN EN 1092-1/B

Note to Pressure Equipment Directive (PED):

The valves of this series, including the connection size DN 25 (G 1), are according to Art. 3 § 3 of the Pressure Equipment Directive (PED) 97/23/EG. This means interpretation and production are in accordance to engineers practice wellknown in the member countries.

The CE-sign at the valve refers not to the PED. Thus the declaration of conformity is not longer applicable for this directive.

For valves > DN 25 (G 1) Art. 3 § (1) No.1.4 applies.

The basic requirements of the Enclosure I of the PED must be fulfilled. The CE-sign at the valve includes the PED. A certificate of conformity of this directive will be available on request.

Note to Electromagnetic Compatibility Guideline (EEC):

The valves shall be provided with an electrical circuit which ensures the limits of the harmonised standards EN 61000-6-3 and EN 61000-6-1 are observed, and hence the requirements of the Electromagnetic Compatibility Guideline (2004/108/EG) satisfied.